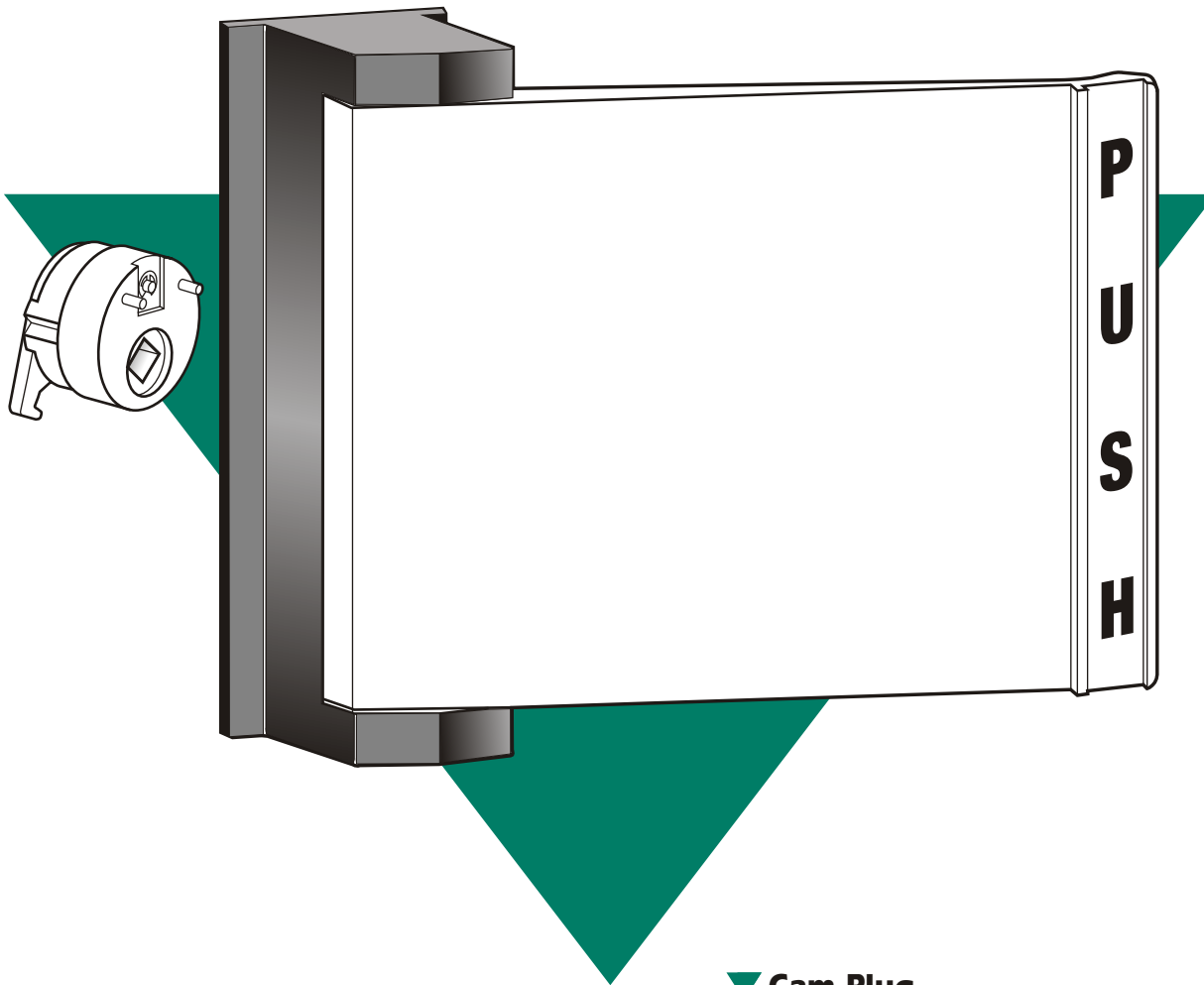




## Deadlatch Paddle

### 4590



#### ▼ Paddle

Extruded aluminum, 628 Clear Anodized finish (US28).  
313 Dark Bronze Anodized and 335 Black Anodized.

#### ▼ Function

An alternative to knob or lever handles. Makes opening a latched door as natural as opening an unlatched one - just push or pull in the direction the door swings. Available for any Adams Rite Series 4500/4700/4900 deadlatch or MS+1890 lock/latch.

#### ▼ Cam Plug

Furnished for use with Series 4500/4700/4900 latches. (Not used with MS+1890 lock/latch.) Secured in latch body by cylinder setscrew, plug is also rigidly tied to escutcheon by hardened steel pins.

#### ▼ Escutcheon

Zinc alloy with Black Ritecoat finish. Houses steel operating mechanism. Secured to door stile with special binder posts that extend into the escutcheon to rigidly resist torque loads in any direction.

#### ▼ Operation

Available in four modes: Push to left, Push to right, Pull to left and Pull to right.



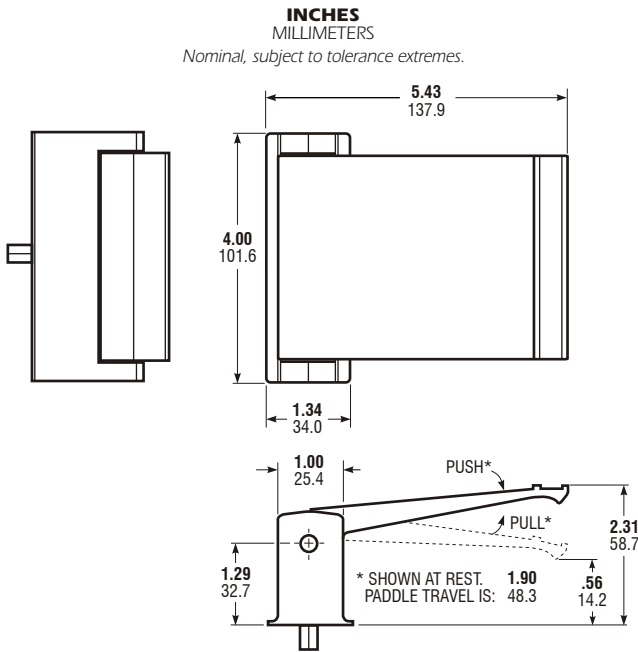
**ADAMS RITE**  
MANUFACTURING CO.

260 Santa Fe Street  
Pomona, California 91767  
(800) 872-3267 Fax:(800) 232-7329  
www.adamsrite.com

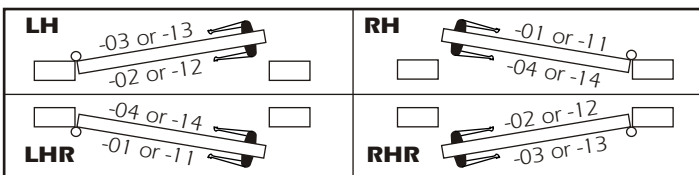


# 4590 Deadlatch Paddle

## DIMENSIONS



FIRST DASH	FOR LATCH SERIES	OPERATION	USE:
-01	4500/4700/4900	PULL TO LEFT	Outside of left hand reverse door or inside of right hand.
-11	MS+1890		
-02	4500/4700/4900	PUSH TO LEFT	Outside of left hand door or inside of right hand reverse.
-12	MS+1890		
-03	4500/4700/4900	PULL TO RIGHT	Outside of right hand reverse door or inside or left hand.
-13	MS+1890		
-04	4500/4700/4900	PUSH TO RIGHT	Outside of right hand door or inside of left hand reverse.
-14	MS+1890		



## HOW TO ORDER

Specify quantity and the following information.

**Operation**  
See Table above for Dash Number

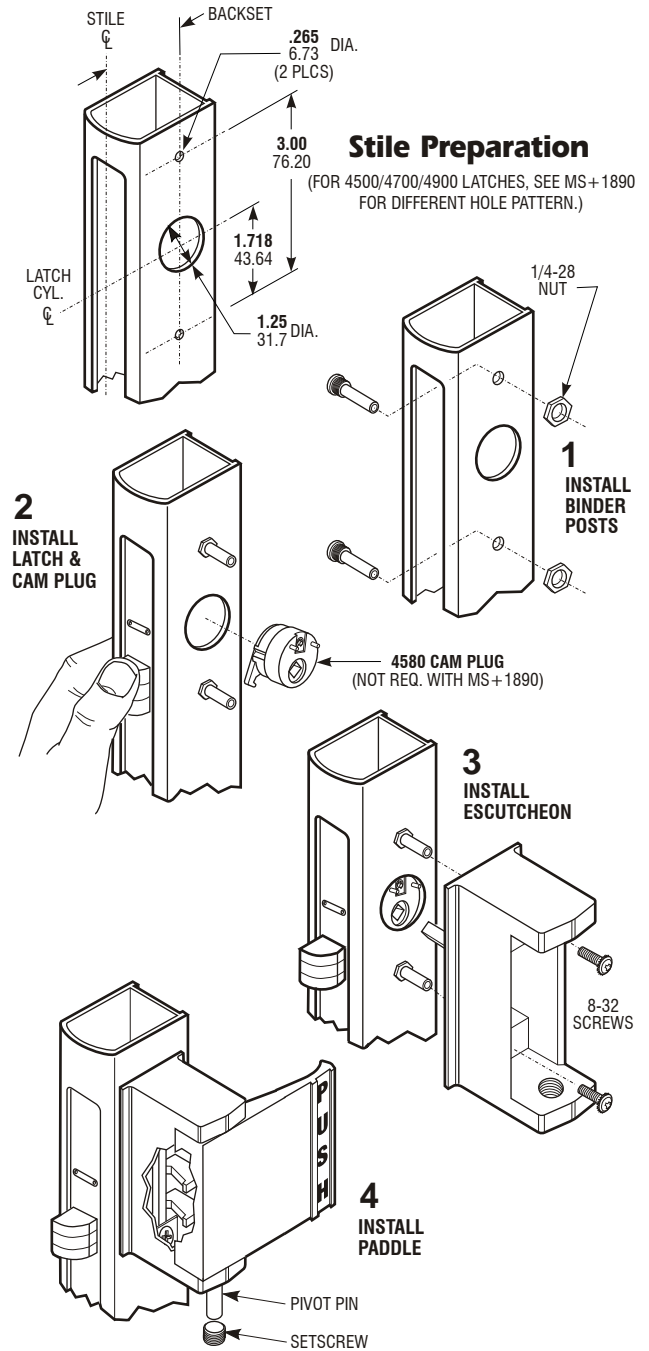
**Door Thickness For MS+1890**  
**11** 1-3/4"  
**12** 2" - 2-1/4"  
**13** 2-1/4" - 2-3/4"  
**14** 3"

**4590 - 02 - 01 - 313**

**Door Thickness**  
**00** 1-3/4"  
**01** 1-13/16" - 2"  
**02** 2-1/4" - 2-1/2"  
**03** 2-3/4" - 3"  
**04** 3-1/4"

**Finish**  
**628** Clear Anodized  
**313** Dark Bronze Anod.  
**335** Black Anodized

## INSTALLATION



## OPTIONS

First dash number specifies operation (handing) and compatible latch. Second dash number can be used to specify non-standard units for doors thicker than 1-3/4".

## STANDARD PACKAGE

Individually boxed with mounting hardware. Units for 4500/4700/4900 Series latches include cam plug. Shipping weight: 1-1/2 lb.